

SEACHROME

Seachrome Corporation
 1906 East Dominguez Street
 Long Beach, California 90810
 Phone: (800) 955-2476
 Fax: (800) 444-3380

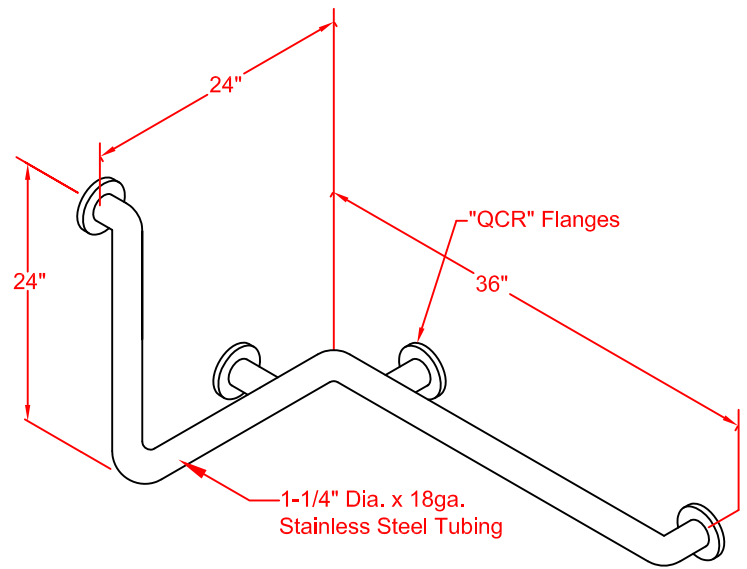
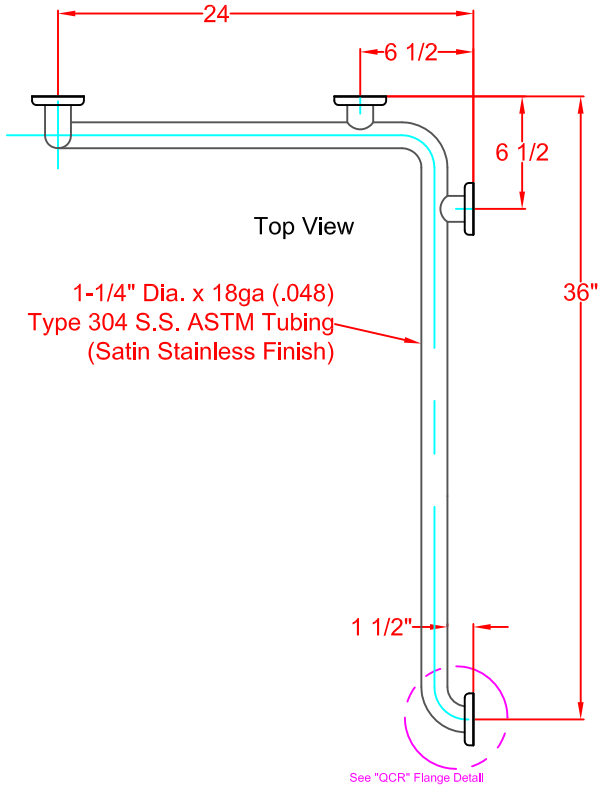
Description:

GSTWL-360240-QCR
36" x 24" x 24" 2-Way Tub Shower Bar
(with Ctr Supports @ 6-1/2")

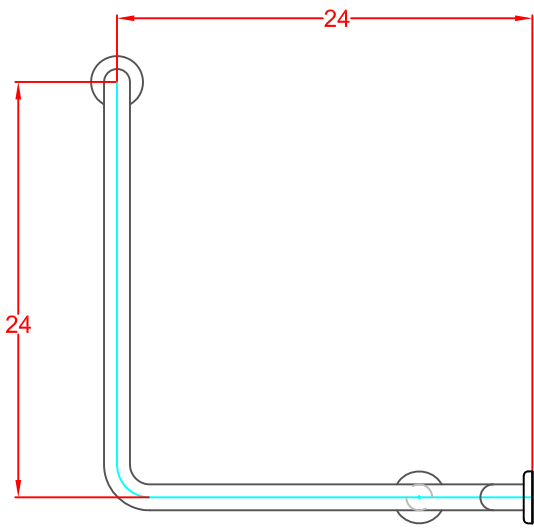
Customer:

Customer Part #

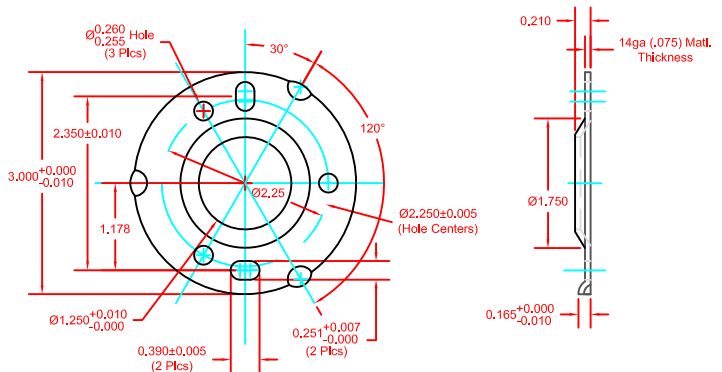
10-26-2017



Isometric View
 Left Hand Shown



Front View



QCR -14ga. Mounting Flange
 w/ 1-1/4" Hole, 5 Hole Flange.

This drawing and the information contained herein is proprietary to Seachrome Corp. and shall not be reproduced, copied or disclosed in whole, or part, or used for manufacturing or for any other purpose without the written permission of Seachrome Corporation.

Hardware Package Includes:
(12) #10 x 2-1/2" Phillips Pan Head
Sheet Metal Screw