

SEACHROME

Seachrome Corporation
 1906 East Dominguez Street
 Long Beach, California 90810
 Phone: (800) 955-2476
 Fax: (800) 444-3380

Description:

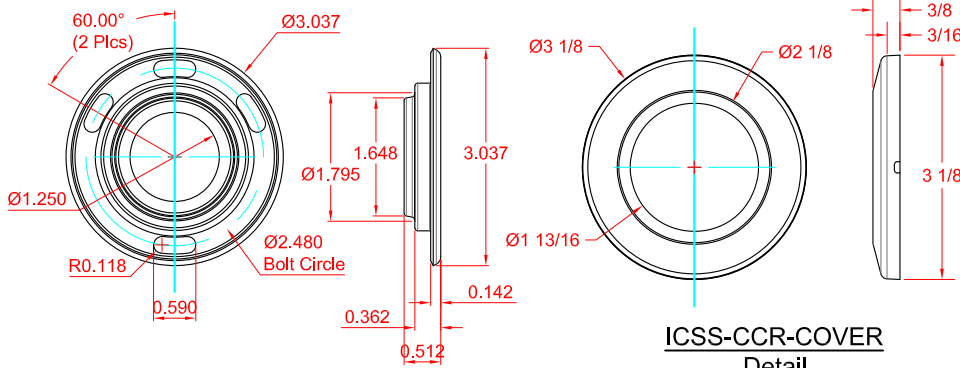
GW-4236-QCR-SS
Wall to Wall Swing Away Bar
(Satin Stainless Finish)

Customer:

Customer Part #

08-03-2021

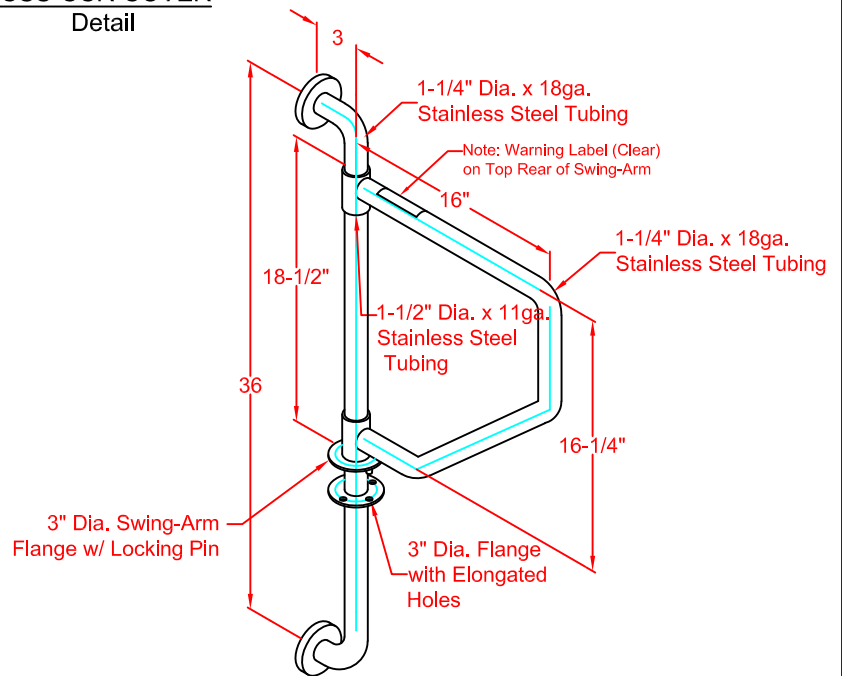
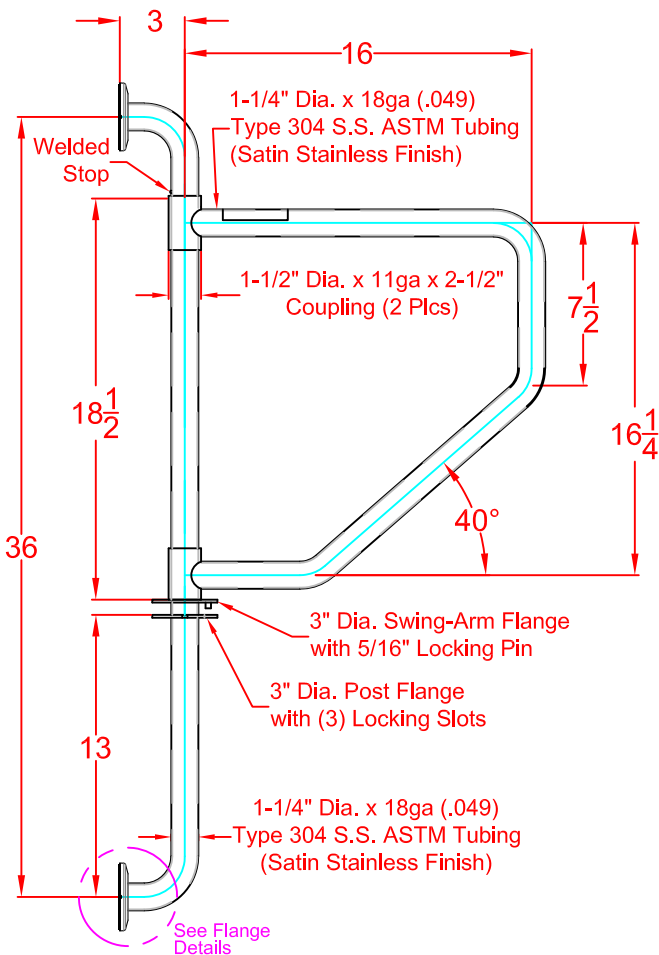
LIFESTYLE & WELLNESS



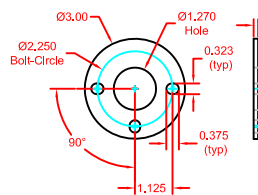
IFSS-CER-FLANGE
Detail

ICSS-CCR-COVER
Detail

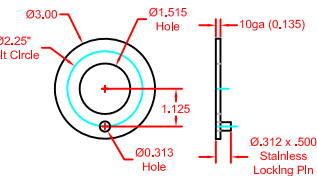
INTERPRET GEOMETRIC TOLERANCING PER: ASME Y14.5-2009
 UNLESS OTHERWISE SPECIFIED: DIMENSIONS ARE IN INCHES [MM]
 TOLERANCES: DECIMALS FRACTIONAL±1/32 .X ±0.1 ANGLES±1° .XX ±0.06



Isometric View



GSSA-Post Flange with (3) Elongated Holes



GSSA-Swing Arm Flange with 5/16" Locking Pin

Proprietary & Confidential

This drawing and the information contained herein is the property of Seachrome Corporation and shall not be reproduced, copied, or disclosed in whole or in part, or used in manufacturing, or for any other purpose without the written permission of Seachrome Corporation.

Hardware Package Includes:
 (6) #10 x 2-1/2" Phillips Pan Head Sheet Metal Screw