

SEACHROME

Seachrome Corporation
 1906 East Dominguez Street
 Long Beach, California 90810
 Phone: (800) 955-2476
 Fax: (800) 444-3380

Description:

GW-4339-QCR-SS Wall to Floor Swing Away Bar (Satin Stainless Finish)

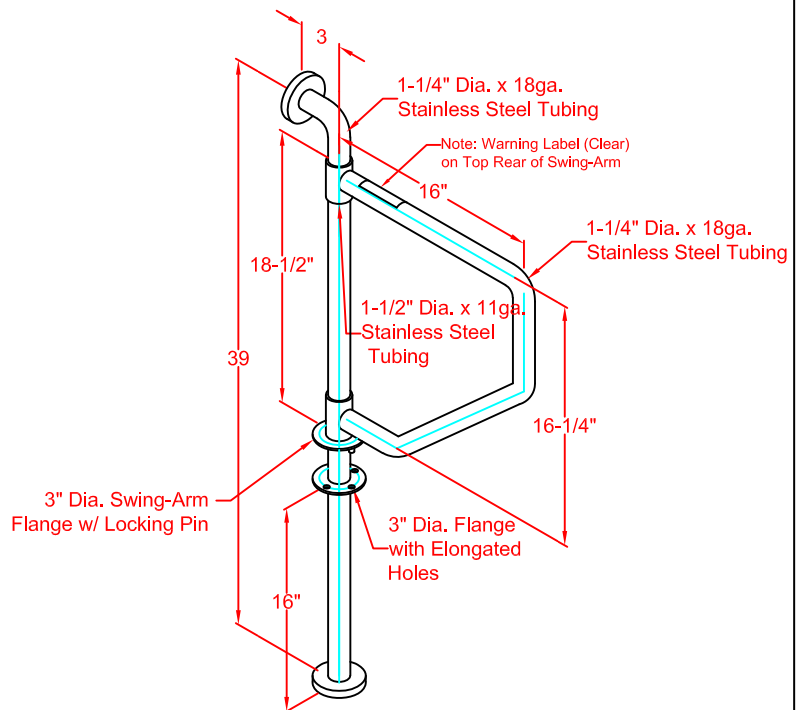
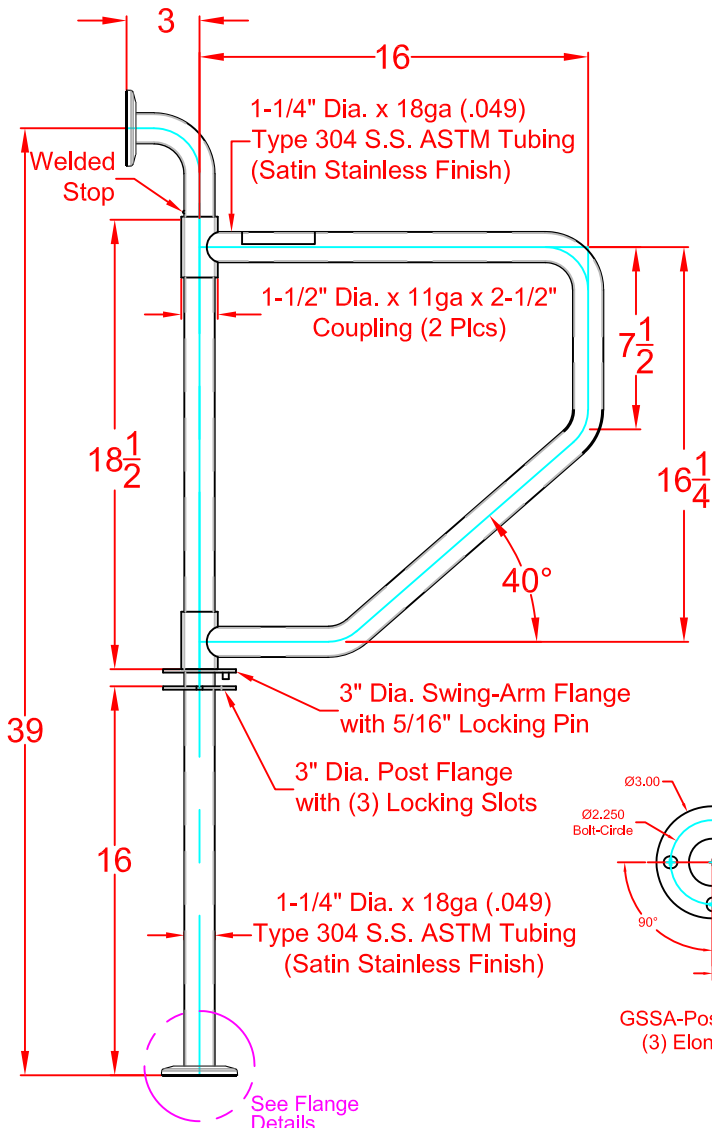
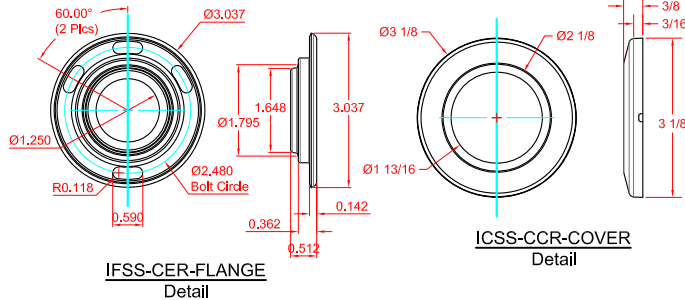
Customer:

Customer Part #

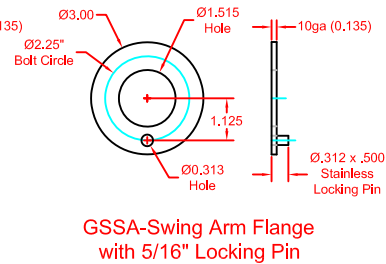
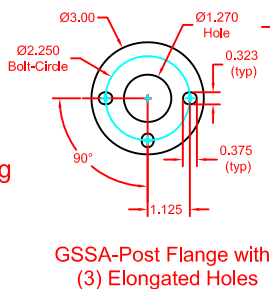
08-03-2021

LIFESTYLE & WELLNESS

INTERPRET GEOMETRIC
 TOLERANCING PER: ASME Y14.5-2009
 UNLESS OTHERWISE SPECIFIED:
 DIMENSIONS ARE IN INCHES [MM]
 TOLERANCES: DECIMALS ±0.1
 FRACTIONAL ±1/32 .X ±0.1
 ANGLES ±1° .XX ±0.06



Isometric View



Proprietary & Confidential

This drawing and the information contained herein is the property of Seachrome Corporation and shall not be reproduced, copied, or disclosed in whole or in part, or used in manufacturing, or for any other purpose without the written permission of Seachrome Corporation.

Hardware Package Includes:
 (6) #10 x 2-1/2" Phillips Pan Head
 Sheet Metal Screw