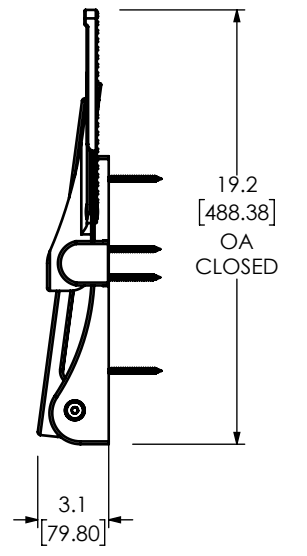
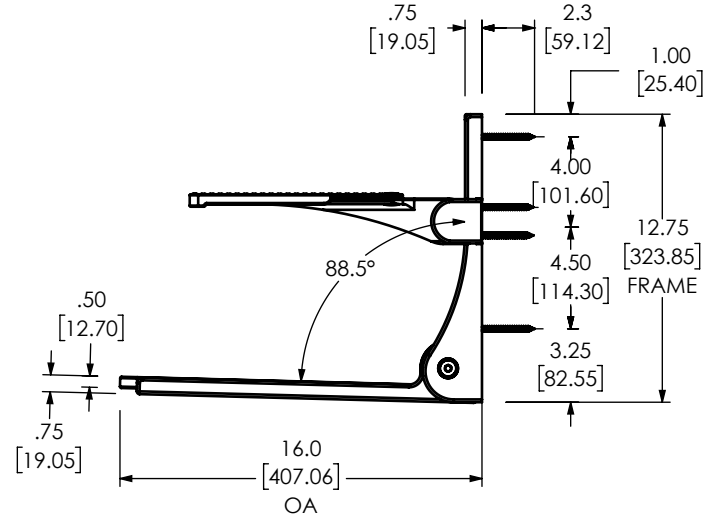
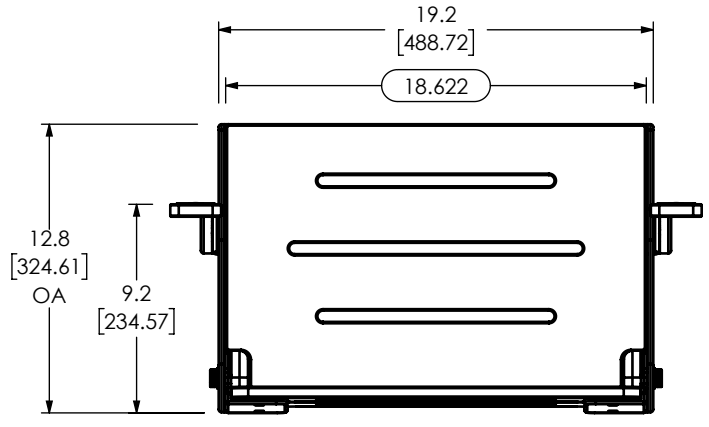
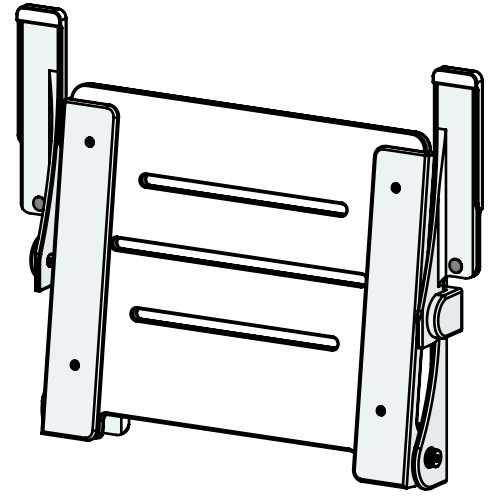
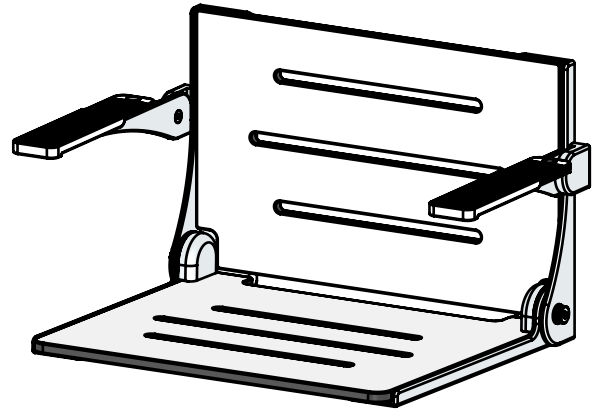
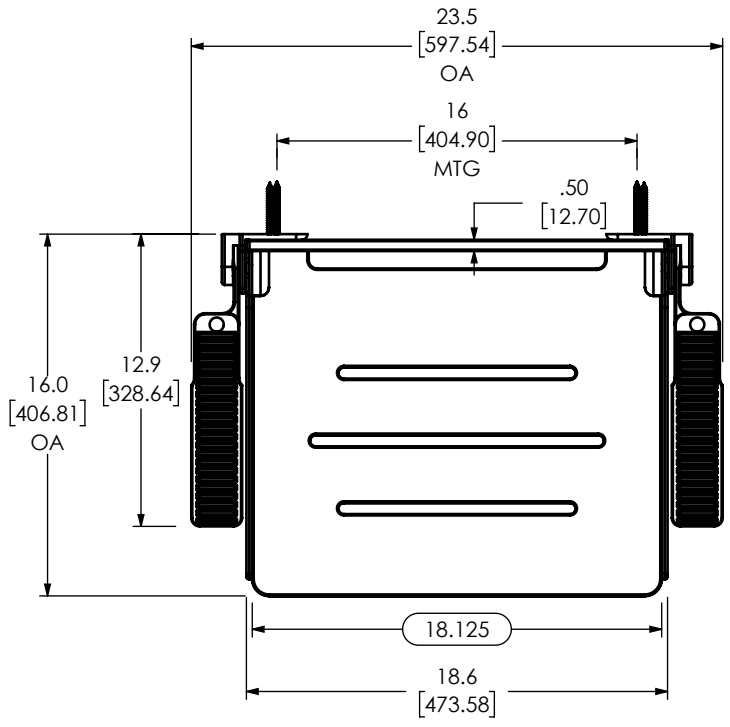


REVISIONS			
REV.	DESCRIPTION	DATE	APPROVED
C	FRAME MODIFIED, NEW DRAWINGS CREATED.	11/11/2024	RE



COMPLETE PART # (EXAMPLE: SHAFAR-185155-PWS-WT)
SHAFAR-185155-

- | | |
|---------------------|-----------------------|
| PAS= ALMOND | WT= WHITE |
| PAAS = AGED ASH | AL= ALMOND |
| PBS= BLACK | BI= BISCUIT |
| PGS= GREY | BK= BLACK |
| PLGS= LIGHT GREY | BR= BRONZE |
| PRTS= RUSTIC TEAK | BSG= BLACK SEMI GLOSS |
| PTS= TEAK | DB= DARK BRONZE |
| PWAS= WEATHERED ASH | MB= MATTE BLACK |
| PWS= WHITE | MWT= MATTE WHITE |
| | SL= SILVER |

PROPRIETARY AND CONFIDENTIAL
This drawing and the information contained herein is the property of Seachrome Corporation and shall not be reproduced, copied, or disclosed in whole or in part, or used in manufacturing, or for any other purpose without the written permission of Seachrome Corporation.

INTERPRET GEOMETRIC TOLERANCING PER: ASME Y14.5-2009 UNLESS OTHERWISE SPECIFIED: DIMENSIONS ARE IN INCHES [MM] TOLERANCES: DECIMALS .X ± 0.10 FRACTIONAL ±1/16 .XX ± 0.06 .XXX ± 0.03 ANGLES ± 2° BEND ± 2°
(XX) DENOTES CRITICAL DIMENSION ALL THREADS ARE CRITICAL
REMOVE ALL BURRS & SHARP EDGES
MATERIAL:
FINISH: SEE NOTE

NEXT ASSEMBLY		USED ON	
-	-	-	-
-	-	-	-
-	-	-	-
DRAWN BY	NAME	DATE	TITLE:
R.ESQUEDA	R.ESQUEDA	11/11/2024	SILHOUETTE HIGH BACK COMFORT SHOWER SEAT PHENOLIC ASSEMBLY
CHECKED	-		
ENG APPR			
MFG APPR			
QA APPR			

SEACHROME CORPORATION
1906 EAST DOMINGUEZ LONG BEACH, CA 90810 (310) 427-8010

PART NO: **SHAFAR-185155-XXX** REV **C**
SIZE: A DO NOT SCALE SCALE: 1:8.5 SHEET 1 OF 2