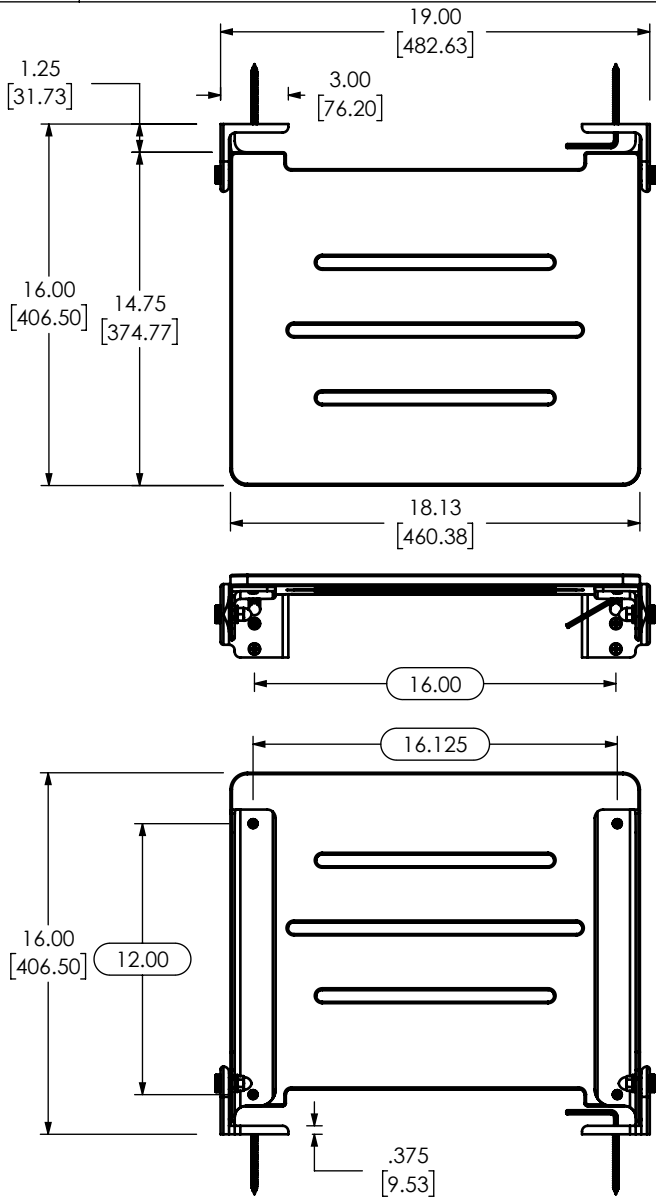


REVISIONS

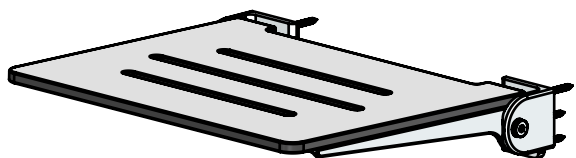
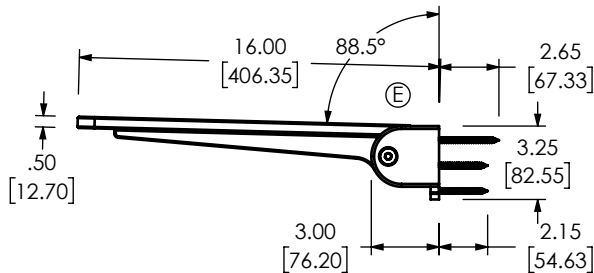
REV.	DESCRIPTION	DATE	APPROVED
E	3/8" THICK HD MOUNTING BRACKETS, +1.5° @ REST, UPPER MOUNTING SCREW NOW @ 3.0" LENGTH	11/6/2024	RE

CUSTOMER SPECIFICATION DWG



COMPLETE PART # (EXAMPLE: SHAFSL-185155-PWS-WT)
 SHAFSL-185155-

- WT= WHITE
- PAS= ALMOND
- PAAS = AGED ASH
- PBS= BLACK
- PGS= GREY
- PLGS= LIGHT GREY
- PRTS= RUSTIC TEAK
- PTS= TEAK
- PWAS= WEATHERED ASH
- PWS= WHITE
- AL= ALMOND
- BI= BISCUIT
- BK= BLACK
- BR= BRONZE
- BSG= BLACK SEMI GLOSS
- DB= DARK BRONZE
- MB= MATTE BLACK
- MWT= MATTE WHITE
- SL= SILVER



PROPRIETARY AND CONFIDENTIAL
 This drawing and the information contained herein is the property of Seachrome Corporation and shall not be reproduced, copied, or disclosed in whole or in part, or used in manufacturing, or for any other purpose without the written permission of Seachrome Corporation.

INTERPRET GEOMETRIC TOLERANCING PER: ASME Y14.5-2009
 UNLESS OTHERWISE SPECIFIED:
 DIMENSIONS ARE IN INCHES [MM]
 TOLERANCES:
 FRACTIONAL ± 1/16 .X ± 0.10
 ANGLES ± 2° .XX ± 0.06
 BEND ± 2° .XXX ± 0.03
 (XX) DENOTES CRITICAL DIMENSION
 ALL THREADS ARE CRITICAL
 REMOVE ALL BURRS & SHARP EDGES
 MATERIAL: SEE PART DRAWINGS
 FINISH: SEE NOTE

NEXT ASSEMBLY		USED ON	
-	-	-	-
-	-	-	-
-	-	-	-
DRAWN BY	NAME	DATE	TITLE
R.ESQUEDA	R.ESQUEDA	11/6/2024	SILHOUETTE, SLIMLINE SHOWER SEAT PHENOLIC ASSEMBLY .375" MTG BRKT, 1.5" UP @ REST
CHECKED	-		
ENG APPR			
MFG APPR			
QA APPR			

SEACHROME CORPORATION

1906 EAST DOMINGUEZ
LONG BEACH, CA 90810
(310) 427-8010

TITLE: SILHOUETTE, SLIMLINE SHOWER SEAT PHENOLIC ASSEMBLY .375" MTG BRKT, 1.5" UP @ REST

PART NO: **SHAFSL-185155-TAB** REV **E**

SIZE: A DO NOT SCALE SCALE: 1:8.5 SHEET 1 OF 1