

PLEASE READ THESE INSTALLATION INSTRUCTIONS THOROUGHLY PRIOR TO INSTALLING THIS TUB/SHOWER SEAT

IMPORTANT: THIS PRODUCT SHOULD ONLY BE INSTALLED BY QUALIFIED AND TRAINED PERSONNEL

FAILURE TO FOLLOW THESE INSTRUCTIONS COULD LEAD TO IMPROPER INSTALLATION OF THE TUB/SHOWER SEAT, STRUCTURAL AND/OR WATER DAMAGE TO THE WALL AND IN-WALL SUPPORT STRUCTURES, AND/OR SERIOUS BODILY INJURY IN USE. IN ADDITION, ALL WARRANTIES, EXPRESS OR IMPLIED, WILL BE NULL & VOID DUE TO IMPROPER INSTALLATION OF THIS PRODUCT. THE MANUFACTURER DOES NOT ASSUME ANY LIABILITY FOR DAMAGE RESULTING FROM SERVICES PERFORMED BY OTHERS, OR FAULTY INSTALLATION, MISUSE OR MISAPPLICATION OF GOODS.

THIS PRODUCT IS DESIGNED TO MEET OR EXCEED ALL LOAD REQUIREMENTS ESTABLISHED IN THE AMERICANS WITH DISABILITIES (ADA) ACT AND/OR FEDERAL SPECIFICATION WW-P-541/8b AT 250 POUNDS OF FORCE. THE PERFORMANCE OF THIS PRODUCT IS SIGNIFICANTLY IMPACTED BY THE STRENGTH AND CONSTRUCTION OF THE WALL TO WHICH IT IS ATTACHED.

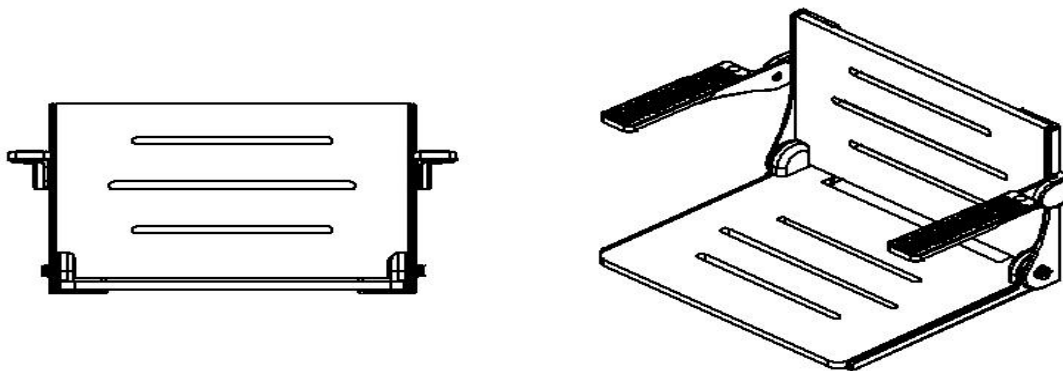
TO ASSURE PROPER AND SAFE INSTALLATION, THIS TUB/SHOWER SEAT MUST BE INSTALLED INTO A MINIMUM 2" THICK, SOLID WOOD, IN-WALL BACKING MATERIAL. MAKE CERTAIN IN-WALL BACKING COMPLIES WITH ALL LOCAL BUILDING CODE REQUIREMENTS.

MAXIMUM WEIGHT CAPACITY FOR THIS PRODUCT SHALL NOT EXCEED 400 LBS. WHEN PROPERLY INSTALLED.

1. Remove the Silhouette Comfort Tub/Shower Seat from the shipping carton. Carefully unwrap packaging as the mounting screws are packaged separately inside the carton.

Note:

The Seat Back Rest is packed attached to the Seat Frame with two (2) screws that MUST BE REMOVED prior to installation. Discard the two (2) screws after removal, they are only used to secure the Seat Back Rest in place during transit.



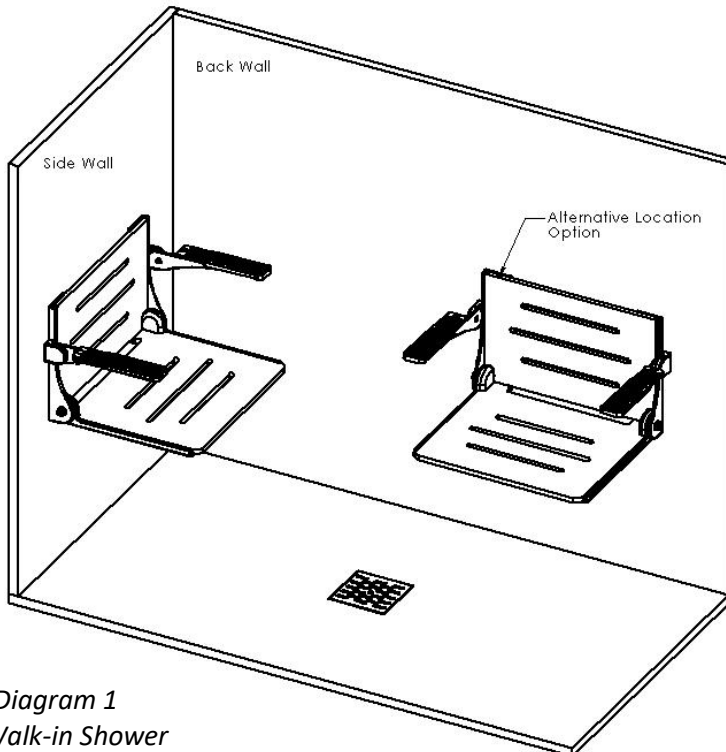
⚠ Warning ⚠

If Seachrome products are not installed, operated, and maintained in accordance with the manufacturer's instructions, there is a potential risk of exposure to substances, including nickel, which are known to the State of California to cause cancer, birth defects or reproductive harm. For more information go to www.P65warnings.ca.gov.

LIFESTYLE & WELLNESS®
U.S Patent No. D964,062 and D973,379

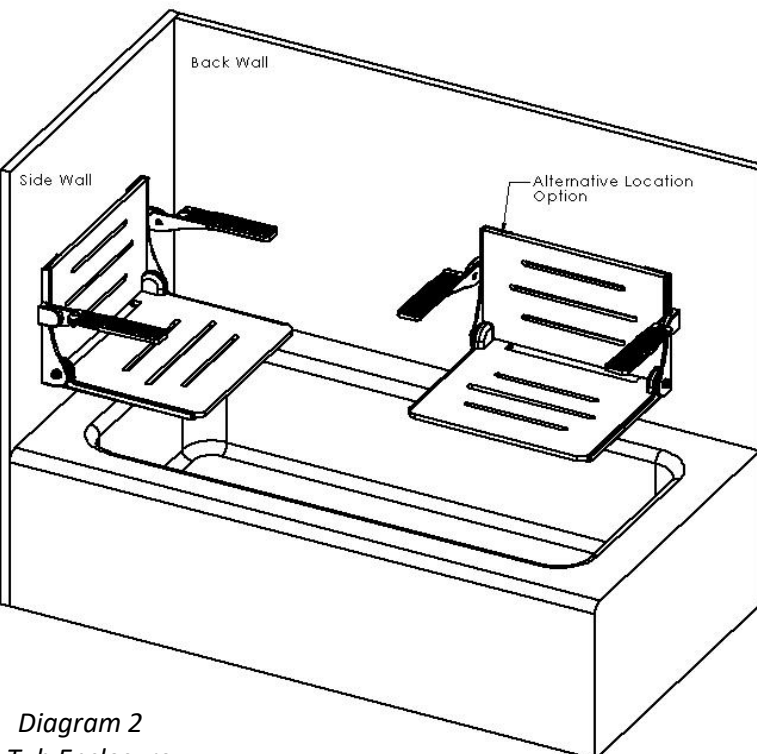
Page 1
of 5

2. Locating the Silhouette Comfort Seat in the desired position for Walk-in Showers and Tub Enclosures.



Locate the area with 2" solid wood in-wall backing. Determine desired seat height (ADA requirements stipulate a seat height of 17" – 19" from the floor). Align ALL hole centerlines in the seat back frame with the in-wall backing. **Using a level (not provided) ensure both seat frame mounting arms are level and square.**

When installing the seat in a tub enclosure, place the shower seat in the open position (as shown in Diagrams 1 & 2) prior to installation, to ensure the bottom of the seat will clear the tub dam. (See Diagram 2)



Using a pencil or suitable marker, it is ***extremely important*** you mark the center of each of the four (4) mounting holes precisely on the mounting surface. (See Diagram 3)

Diagram 2
Tub Enclosure

⚠ Warning ⚠

If Seachrome products are not installed, operated, and maintained in accordance with the manufacturer's instructions, there is a potential risk of exposure to substances, including nickel, which are known to the State of California to cause cancer, birth defects or reproductive harm. For more information go to www.P65warnings.ca.gov.

Proceed cautiously through the following steps in this installation process to avoid drilling into in-wall water supply lines.

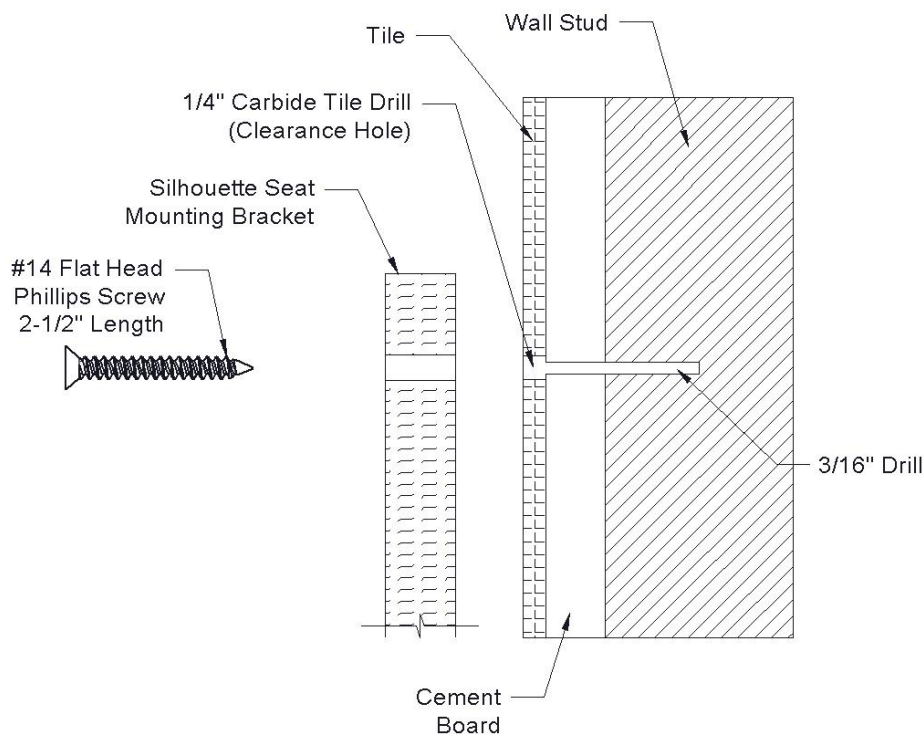
3. Mounting the Silhouette Comfort Seat in Tiled Wall Enclosure.

All mounting points must fasten into structural wood backing, minimum 2" thickness.

Avoid electrical and/or plumbing behind the wall, and where possible drill through tile – not through grout.

Step #1 (See Diagram A)

With the seat positioned on the mounting surface in the open position without the seat back rest, with each of the seat mounting arms level and square, and the six (6) holes on the seat mounting arms on 16" centers – mark the wall (tile surface) at each of the six (6) hole locations. **Drill through the tile only** with a 1/4" Carbide tile drill bit (not provided) at the six (6) locations marked on the wall to create clearance holes in the tile only, leaving a center point mark in the cement board backing to use as a guide for Step #2.



Step #2

Use a power drill with a 3/16" Standard drill bit (not provided) and drill into the 2" thick solid wood backing in the wall, using the center point guide marks created in Step #1. Fill the clearance holes on the mounting surface with silicone to ensure a water-tight seal will be created at all mounting locations.

⚠ Warning ⚠

If Seachrome products are not installed, operated, and maintained in accordance with the manufacturer's instructions, there is a potential risk of exposure to substances, including nickel, which are known to the State of California to cause cancer, birth defects or reproductive harm. For more information go to www.P65warnings.ca.gov.

LIFESTYLE & WELLNESS®
 U.S Patent No. D964,062 and D973,379

Page 3
 of 5

Step #3

Secure the Seat Mounting Brackets to the wall using the four (4) #14 Flat Head Phillips sheet metal screws (supplied by manufacturer) and screw into the solid wood backing, starting with the top two hole locations. (See Diagram 3).

Secure the Seat Mounting Brackets with the mounting screws but DO NOT tighten the mounting screws completely.

Step #4

Fully insert the Arm Rest Brackets into the cutouts on both sides of the Seat Mounting Brackets until they fit snug inside the cutouts when flush on the mounting surface. (See Diagram 4).

Using a pencil or suitable marker, mark the center of each of the four (4) mounting holes on the Arm Rest Brackets precisely on the mounting surface. Repeat steps #1 and #2 to mount the Arm Rests on the mounting surface.

Secure the Arm Rest Brackets to the wall using the four (4) #14 Flat Head Phillips sheet metal screws (supplied by manufacturer) and screw into the solid wood backing, starting with the top two hole locations. (See Diagram 4)

Secure the Arm Rest Brackets with the mounting screws but DO NOT tighten the mounting screws completely.

Step #5

Tighten the four (4) screws on both of the Arm Rest Brackets, then tighten the four (4) screws on the Seat Mounting Brackets so that ALL eight (8) screws have been tightened completely.

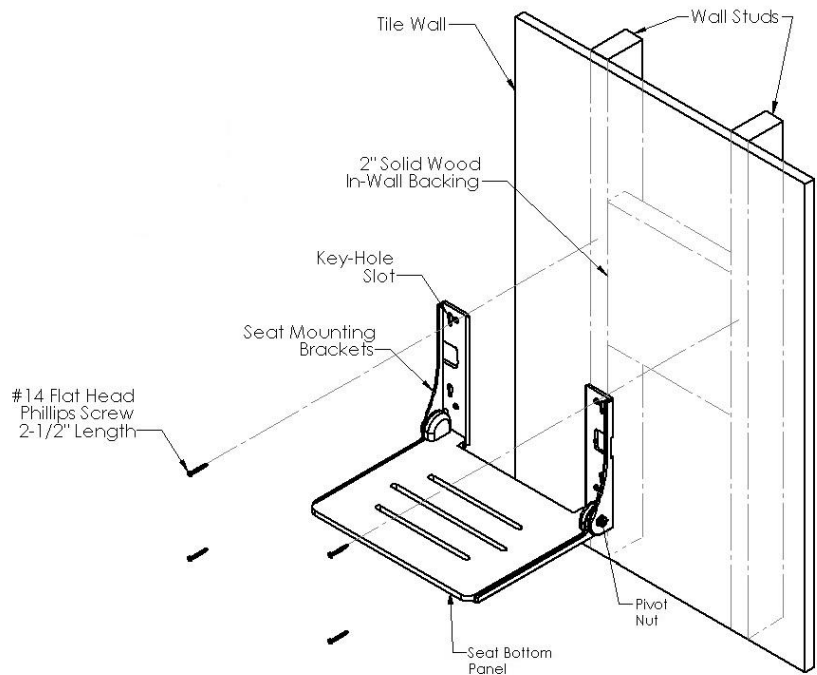


Diagram 3

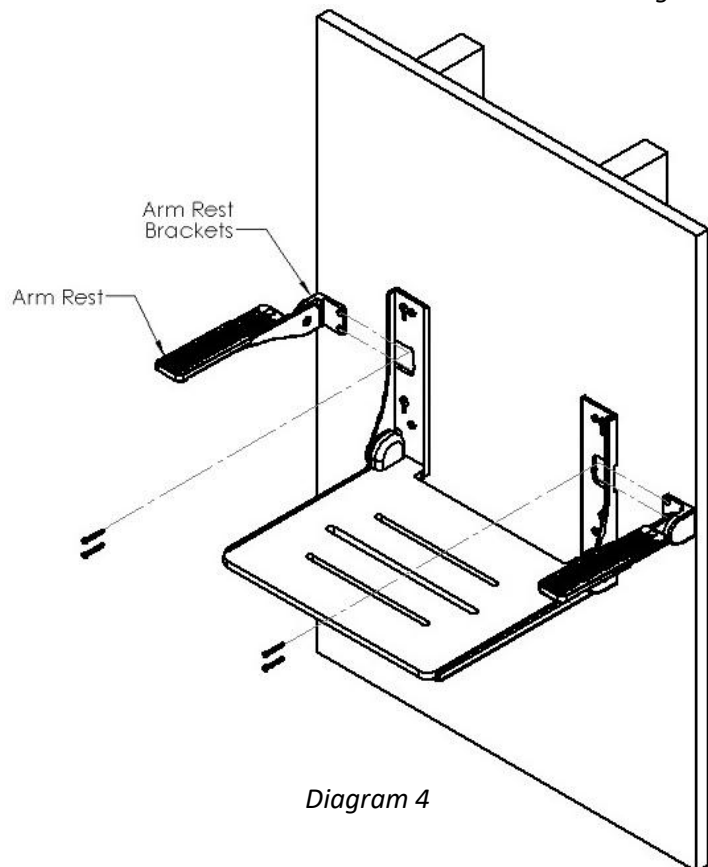


Diagram 4

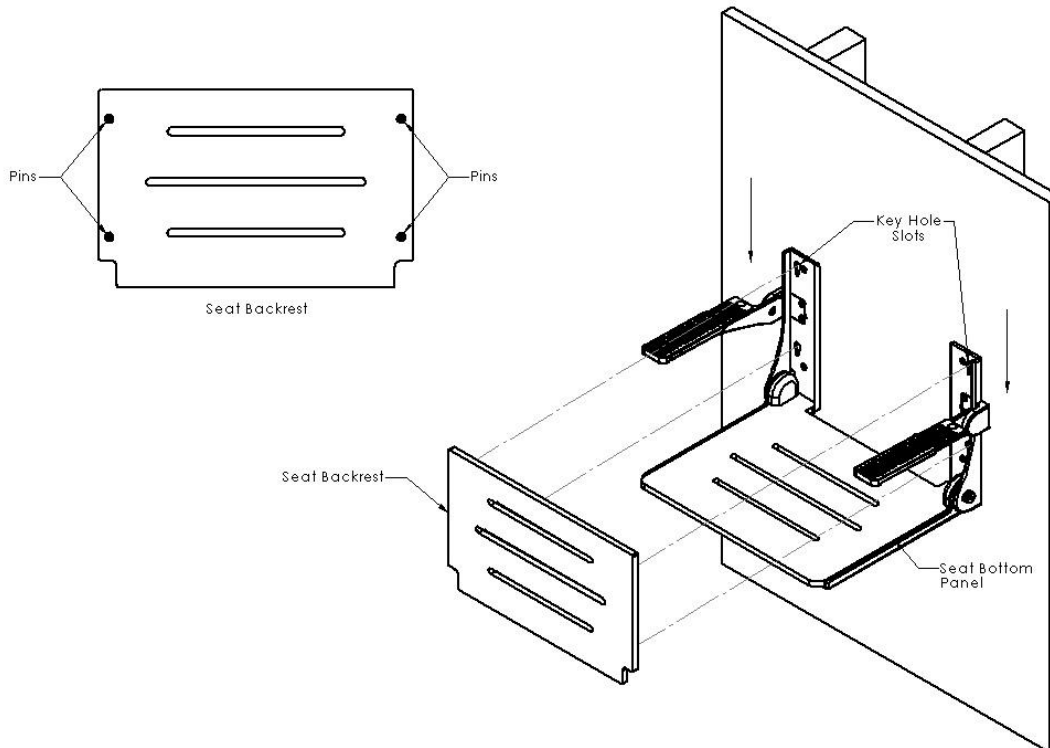
⚠ Warning ⚠

If Seachrome products are not installed, operated, and maintained in accordance with the manufacturer's instructions, there is a potential risk of exposure to substances, including nickel, which are known to the State of California to cause cancer, birth defects or reproductive harm. For more information go to www.P65warnings.ca.gov.

4. Attaching Seat Backrest to Seat Frame

Once all eight (8) screws have been tightened, install the Seat Backrest by placing the four (4) pins attached to the backside of the phenolic seat backrest panel into the four (4) Key Hole Slots on the Seat Mounting Brackets. The backrest panel should easily slide down approximately ½" until secure in its normal position. Make certain all four (4) pins are engaged in each Key Hole Slot.

To remove the Seat Backrest, slide the backrest panel up approximately ½" so the four (4) pins align with the enlarged portion of the Key Hole Slots on the Seat Mounting Brackets, and pull the Backrest away from the frame.



NOTE:

The Seat Bottom Panel is attached to the aluminum frame at the factory.

Do **NOT** attempt to remove the Seat Bottom Panel from the seat frame as it may cause severe damage to the seat.

Do **NOT** attempt to adjust or remove the pivot nut. Torque and friction settings are determined at the factory and cannot be changed. Doing so will severely damage the seat and void all warranties (See Diagram 3).

To ensure proper and safe installation, the Silhouette Comfort Seat should not shift in any direction on the mounting surface.

Hardware Provided: (8) #14 Flat Head Phillips sheet metal screws 2-1/2" length.

Tools required: Marking pencil/pen, level, masking tape, power drill, 1/4" Carbide tile drill bit, 3/16" Standard drill bit, #3 phillips driver, silicone.

THIS COMPLETES THE INSTALLATION OF THE SILHOUETTE COMFORT TUB/SHOWER SEAT

⚠ Warning ⚠

If Seachrome products are not installed, operated, and maintained in accordance with the manufacturer's instructions, there is a potential risk of exposure to substances, including nickel, which are known to the State of California to cause cancer, birth defects or reproductive harm. For more information go to www.P65warnings.ca.gov.

LIFESTYLE & WELLNESS®
 U.S Patent No. D964,062 and D973,379

Page 5
 of 5