

# INSTALLATION INSTRUCTIONS

SLR SEATS

**IMPORTANT: PROPER BACKING MATERIAL AND MOUNTING HARDWARE MUST BE USED TO MOUNT THIS SHOWER SEAT FOR SAFE USE AND AS REQUIRED BY A.D.A. GUIDELINES.**

*ADA regulations specify a finished seat height 17" to 19" above the finished floor and 1½" of clearance between the seat edge and the side wall.*

**PLEASE READ THESE INSTALLATION INSTRUCTIONS THOROUGHLY PRIOR TO INSTALLING THIS SHOWER SEAT**

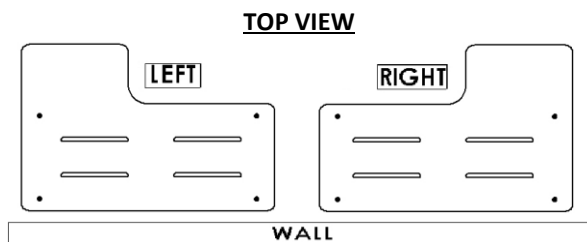
**IMPORTANT: THIS PRODUCT SHOULD ONLY BE INSTALLED BY QUALIFIED AND TRAINED PERSONNEL**

**FAILURE TO FOLLOW THESE INSTRUCTIONS COULD LEAD TO IMPROPER INSTALLATION OF THE SHOWER SEAT, STRUCTURAL AND/OR WATER DAMAGE TO THE WALL AND IN-WALL SUPPORT STRUCTURES, AND/OR SERIOUS BODILY INJURY IN USE. IN ADDITION, ALL WARRANTIES, EXPRESS OR IMPLIED, WILL BE NULL & VOID DUE TO IMPROPER INSTALLATION OF THIS PRODUCT. THE MANUFACTURER DOES NOT ASSUME ANY LIABILITY FOR DAMAGE RESULTING FROM SERVICES PERFORMED BY OTHERS, OR FAULTY INSTALLATION, MISUSE OR MISAPPLICATION OF GOODS.**

**THIS PRODUCT IS DESIGNED TO MEET OR EXCEED ALL LOAD REQUIREMENTS ESTABLISHED IN THE AMERICANS WITH DISABILITIES (ADA) ACT AND/OR FEDERAL SPECIFICATION WW-P-541/8b AT 250 POUNDS OF FORCE. THE PERFORMANCE OF THIS PRODUCT IS SIGNIFICANTLY IMPACTED BY THE STRENGTH AND CONSTRUCTION OF THE WALL TO WHICH IT IS ATTACHED.**

**TO ASSURE PROPER AND SAFE INSTALLATION, THIS SHOWER SEAT MUST BE INSTALLED INTO A MINIMUM 2" THICK, SOLID WOOD, IN-WALL BACKING MATERIAL. MAKE CERTAIN IN-WALL BACKING COMPLIES WITH ALL LOCAL BUILDING CODE REQUIREMENTS.**

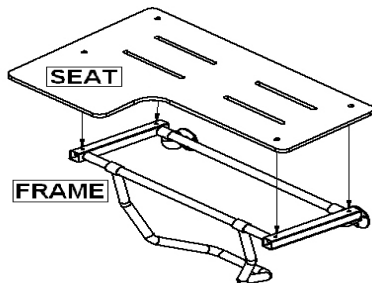
1. Determine desired shower seat location and seat configuration.



Determine desired location for the shower seat and corresponding seat configuration; left or right.

## SEAT CONFIGURATION

2. Mounting the seat top to the frame.



Mount the seat top to the frame in the desired configuration. Using four (4) ¼"-20 x 2" Phillips Flat Head machine screws and (4) ¼"-20 Nylon Lock Nuts (supplied by manufacturer), secure the seat top to the frame. Torque screws to 20 ft-lbs.

### 3. Determine seat height from the floor and location relative to the inside back wall.

ADA regulations specify a finished seat height 17" to 19" above the finished floor and 1-1/2" clearance between the seat edge and the inside back wall. Check local building codes for additional requirements.

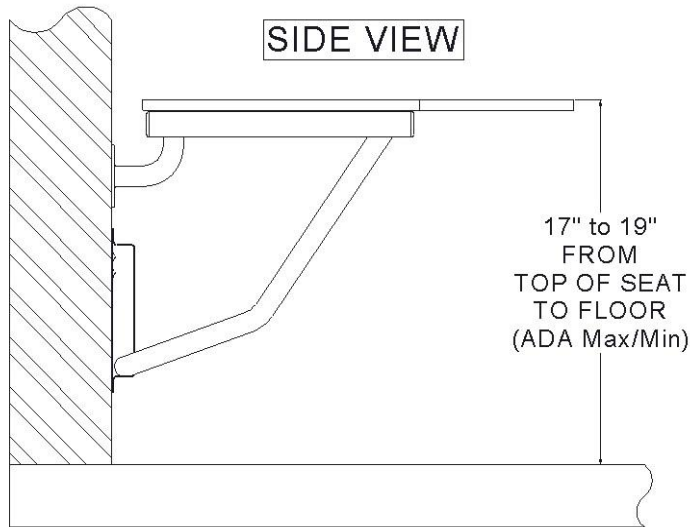


Diagram A

Place the seat against the wall where minimum 2" thick, solid wood in-wall backing material is located and ensure the appropriate finished seat height is at the desired height and is level. (See Diagram A)

Verify that the seat edge is at the desired distance from the side wall and is level and plumb, and the sliding leg bracket fits flush against the wall and is clear from the floor.

Upon selecting the height & location of the seat, mark the three (3) holes on each of the 3" diameter mounting flanges (six [6] holes total) on the wall where the seat will be mounted.

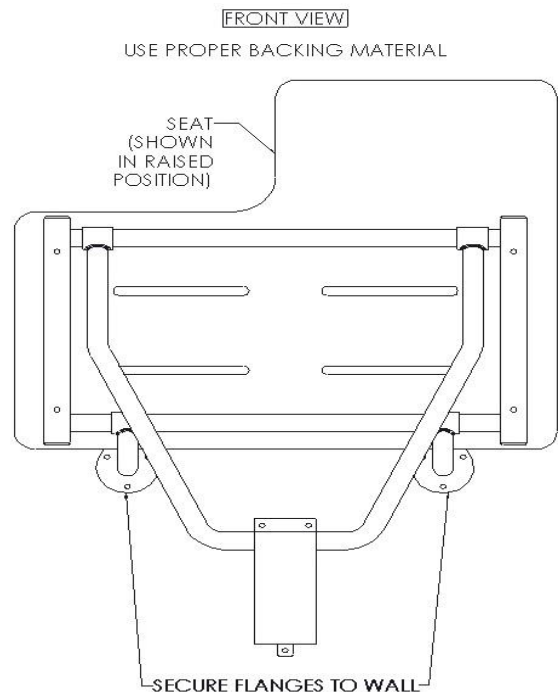
Using a 1/8" Carbide tip drill bit (not provided), drill at all six (6) locations.

Use clear silicone sealer at each hole location to prevent water damage to existing structures as desired.

### 4. Mounting the seat to the wall.

Holding the seat assembly in an upright and raised position against the wall, tightly secure the two mounting flanges to the wall **AND INTO 2" THICK, SOLID WOOD IN-WALL BACKING MATERIAL**, using six (6) #12 x 2½" stainless steel screws (supplied by manufacturer).

*Tighten screws completely **AFTER** all screws are in place.*



## 5. Determining the Location of the mounting holes for the Sliding Leg Bracket:

- a. Place the Sliding Leg Bracket around the Leg Support tube and affix the Sliding Leg Bracket against the wall on the established centerline of the seat. Rotate the seat top from down (horizontal) to up (vertical) positions to ensure the Sliding Leg Bracket is positioned properly. Mark the two top holes and the bottom hole in the Sliding Leg Bracket.
- b. Using a 3/32" Carbide tip drill bit (not provided), drill the two top mounting holes and the bottom tab mounting hole for the Sliding Leg Bracket.
- c. Secure the Sliding Leg Bracket to the wall **AND INTO 2" THICK, SOLID WOOD IN-WALL BACKING MATERIAL**, using (3) #10 x 2½" stainless steel screws (supplied by manufacturer).

## 6. Check Seat for:

- 1) Proper up and down operation.
- 2) Correct finished height.
- 3) Seat is level in "down" position.
- 4) Correct distance from wall.
- 5) Weight bearing.

***THIS COMPLETES THE INSTALLATION OF THE SLR SHOWER SEAT.***

### Hardware provided:

- (4) ¼"-20 X 2" Phillips Flat Head machine screws and (4) ¼"-20 Nylon Lock Nuts  
(3) #10 X 2-1/2" Phillips Pan Head sheet metal screws, (6) #12 X 2-1/2" Phillips Pan Head sheet metal screws

### Tools required:

Tape measure, power drill, 1/8" and 3/32" Carbide tip drill bit, marking pen/pencil, level, #2 phillips driver (for #10 screws), #3 phillips driver (for #12 screws).