

# CUSTOMER SPECIFICATION DWG

**NOTES:**

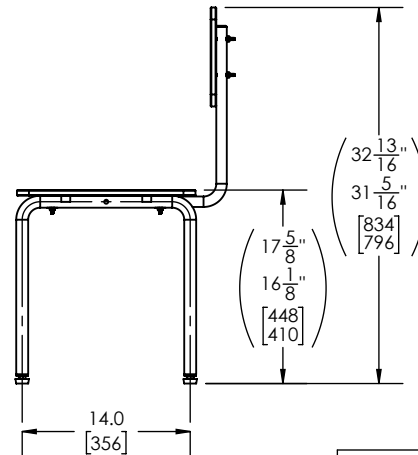
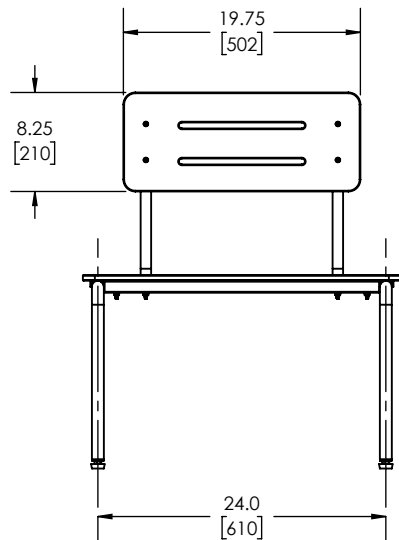
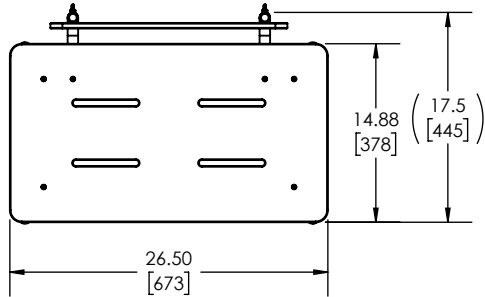
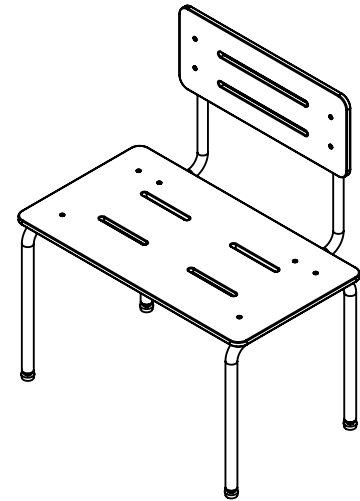
1. DIMENSIONS IN BRACKETS [ ] ARE MILLIMETERS, FOR REFERENCE ONLY.
2. GRAIN DIRECTION PER ASME Y14.36M-1996 FOR SS SATIN FINISHES ONLY.

**PRODUCT SPECIFICATION**

**-MATERIAL:** SEAT TOP: 1/2" ONE-PIECE SOLID PHENOLIC  
 FRAME: 304 STAINLESS STEEL, 18GA.

**-AVAILABLE FINISHES (IDENTIFY SUFFIX WHEN ORDERING)**

SEAT TOP:  
 -PWS PHENOLIC WHITE ONE-PIECE SOLID  
 -PTS PHENOLIC TEAK ONE-PIECE SOLID  
 -PAS PHENOLIC ALMOND ONE-PIECE SOLID



**PROPRIETARY AND CONFIDENTIAL**  
 THIS DRAWING AND THE INFORMATION CONTAINED HEREIN IS PROPERTY OF SEACHROME CORPORATION AND SHALL NOT BE REPRODUCED, COPIED OR DISCLOSED IN WHOLE, OR PART, OR USED IN MANUFACTURING OR FOR ANY OTHER PURPOSE WITHOUT THE WRITTEN PERMISSION OF SEACHROME CORPORATION.

INTERPRET GEOMETRIC TOLERANCING PER: ASME Y14.5-2009  
 UNLESS OTHERWISE SPECIFIED:  
 DIMENSIONS ARE IN INCHES [MM]  
 TOLERANCES: DECIMALS  
 FRACTIONAL ± 1/64 .X ± 0.1  
 ANGLES ± 1° .XX ± 0.02  
 BEND ± 1°

**SEACHROME**  
CORPORATION

1906 EAST DOMINGUEZ  
LONG BEACH, CA 90810  
(310) 427-8010

TITLE:  
**SHOWER SEAT PORTABLE CHAIR**

DRAWN	E.BARBER	11/25/20	DWG. NO.	SSPC-265148-PWS	REV B
ENG APPR.	J. AMOZOC	11/25/20	SIZE	A DO NOT SCALE DRAWING SCALE: 1:16 SHEET 1 OF 1	